



414 Canal Street - New Smyrna Beach, FL 32168 - 386.426.5583
C.A. 4180

STRUCTURAL DETAILS

FOR A

NEW CARPORT (ON EXISTING CONCRETE)

BY

STEVENS CONSTRUCTION & ALUMINUM, INC.

FOR

SHEILA LLOYD
605 NAVIGATORS WAY
EDGEWATER, FL 32141

DESIGN CRITERIA

2023 Florida Building Code
ASCE 7-22
ACI-318-19

WIND LOAD CRITERIA (ASD)

Basic Wind Speed 140 mph
Exposure D
Category II, Open Structure
C&C Wind Pressures = + 23.2/ - 33.7 psf
Roof Pressure = -23.0 psf



Digitally signed by:
Charles Adams
Date: 2026.02.06
10:11:24 -05'00'

SHEILA LLOYD
605 NAVIGATORS WAY
EDGEWATER FL, 32141

PLOT PLAN

15'

8'

HOME

8'

EXISTING
CARPORT

NEW CARPORT

21'

29'

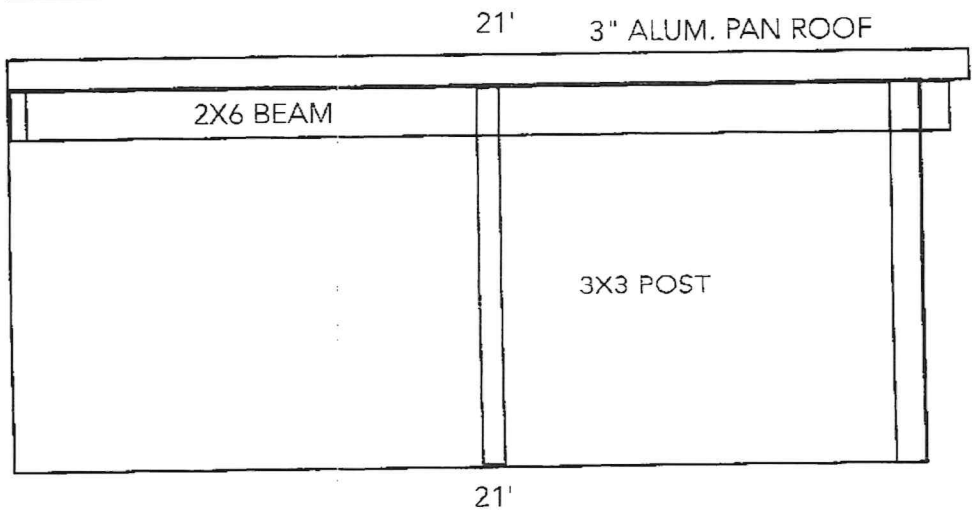
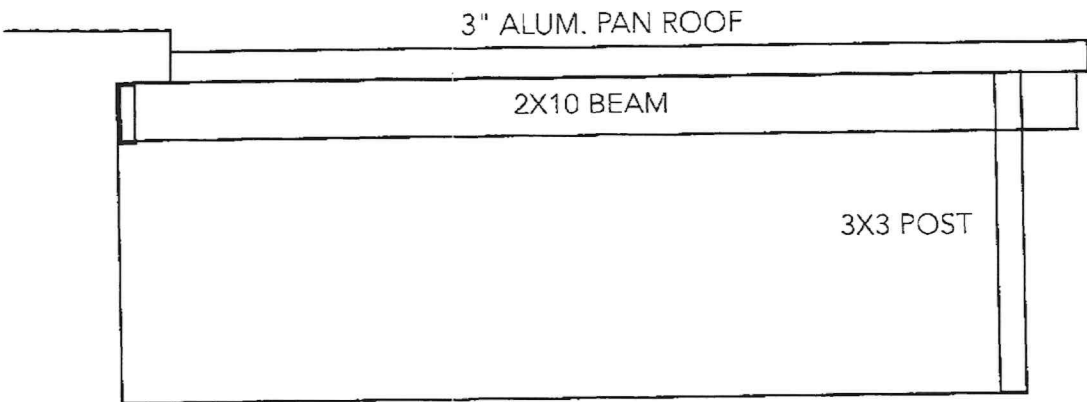
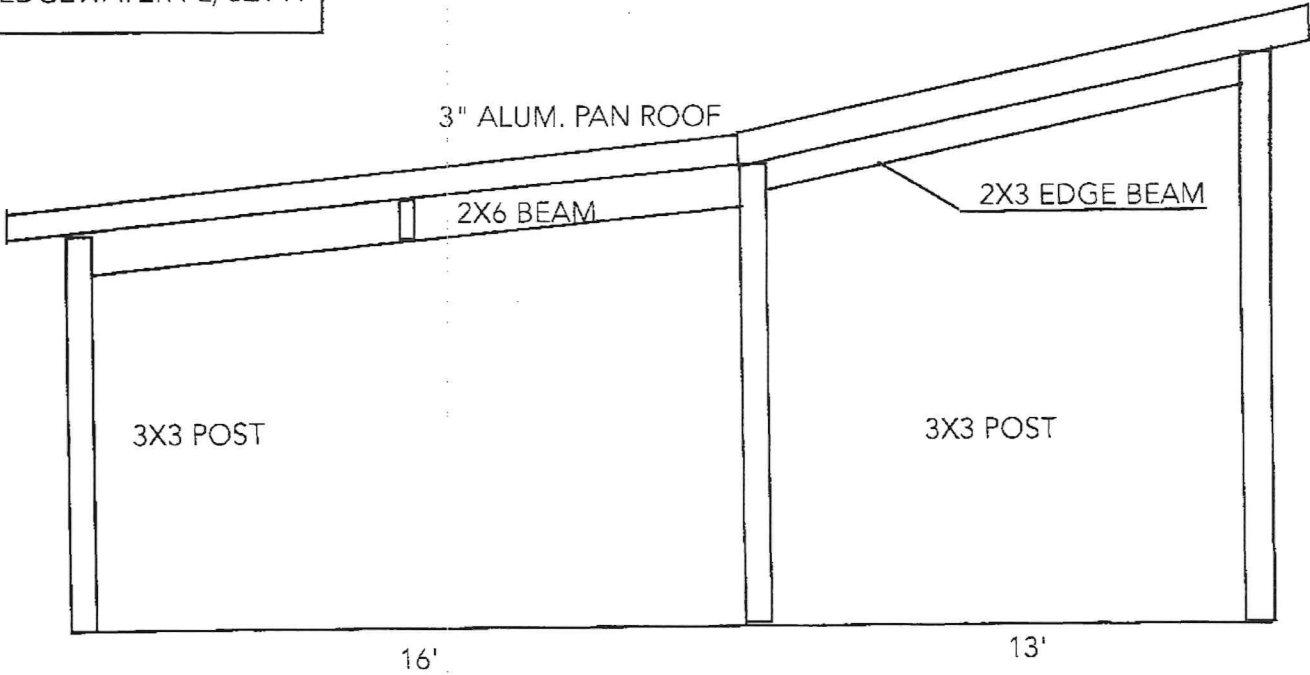
Digitally signed
by: Charles
Adams
Date: 2026.02.06
09:36:32 -05'00'

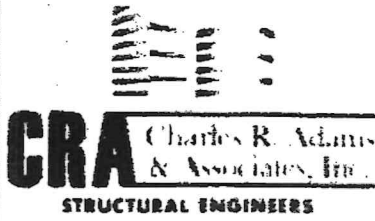
28'



SHEILA LLOYD
605 NAVIGATORS WAY
EDGEWATER FL, 32141

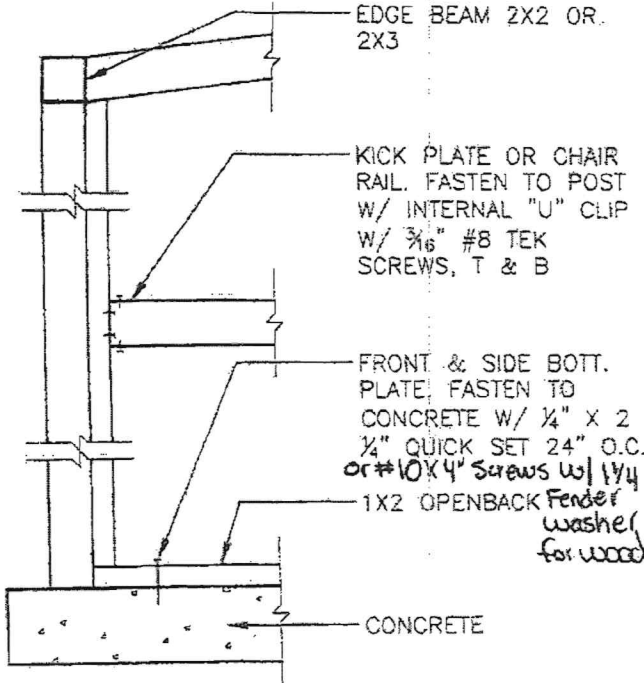
NEW CARPORT ON EXISTING
AND NEW CONCRETE





820 East 10th Ave
 New Smyrna Beach, FL 32169
 (386)426-5583

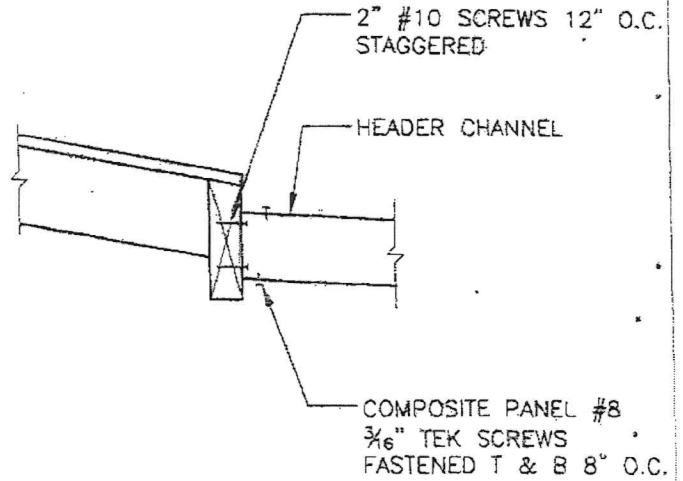
CHARLES R. ADAMS & ASSOCIATES, INC.
 STRUCTURAL ENGINEERS
 820 E. 10TH AVE.
 NEW SMYRNA BEACH, FL 32169
 CA # 4180, FL PE # 15113



Screen Wall

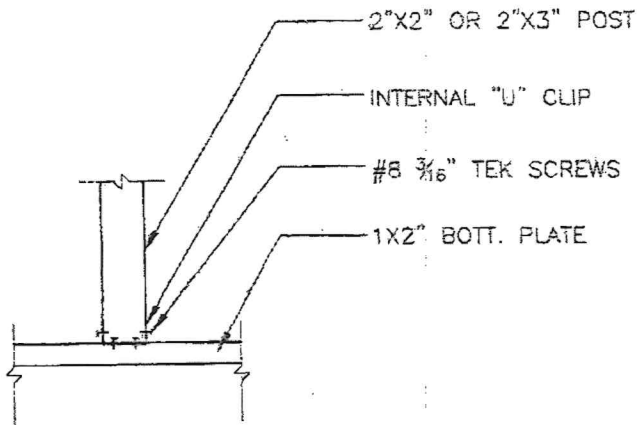
1 1/2" = 1'-0"

SEAL ALL EXPOSED SCREWS



Panel to Fascia

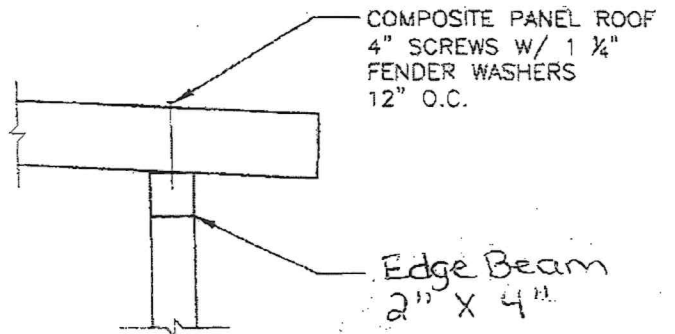
1 1/2" = 1'-0"



Post to Bott. Plate

1 1/2" = 1'-0"

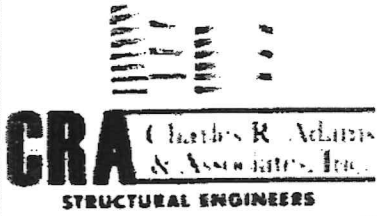
SEAL ALL EXPOSED SCREWS



Panel to Beam

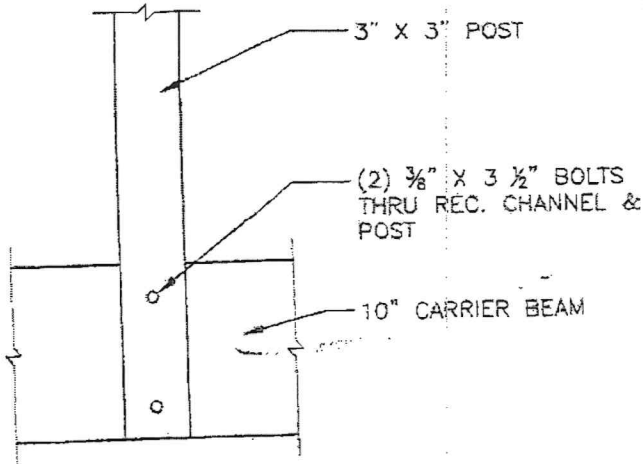
1 1/2" = 1'-0"





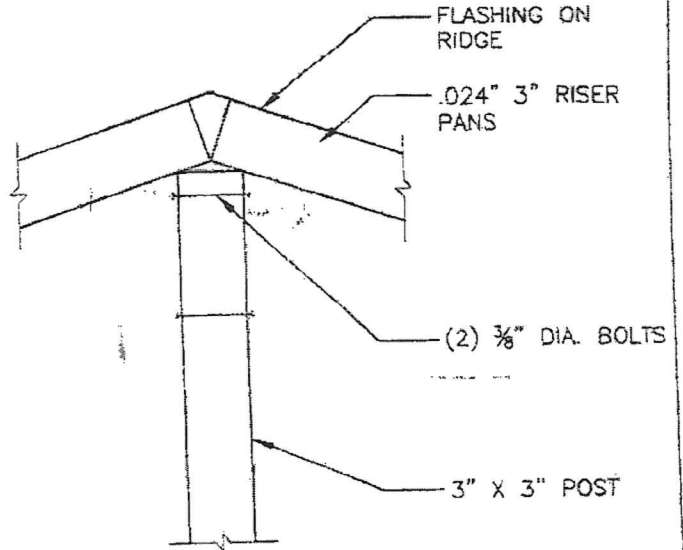
805 East 10th Ave
 New Smyrna Beach, FL 32169
 (386)426-5583

CHARLES R. ADAMS & ASSOCIATES, INC.
 STRUCTURAL ENGINEERS
 820 E. 10TH AVE.
 NEW SMYRNA BEACH, FL 32169
 CA # 4180, FL PE # 15113



Post to Carrier Beam

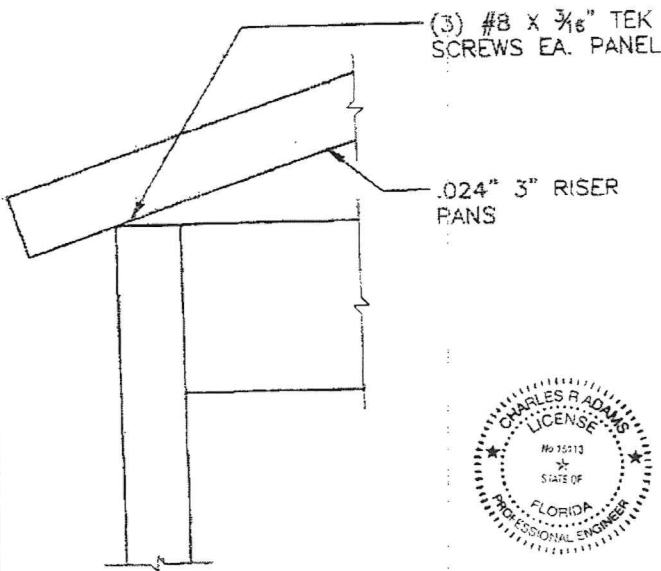
1 1/2" = 1'-0"



Post to Ridge Beam

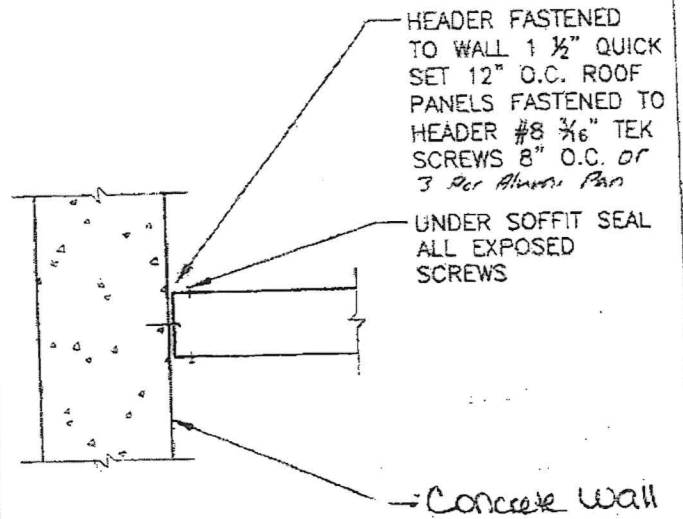
1 1/2" = 1'-0"

SEAL ALL EXPOSED SCREWS



Pans Fastened to Edge Beam

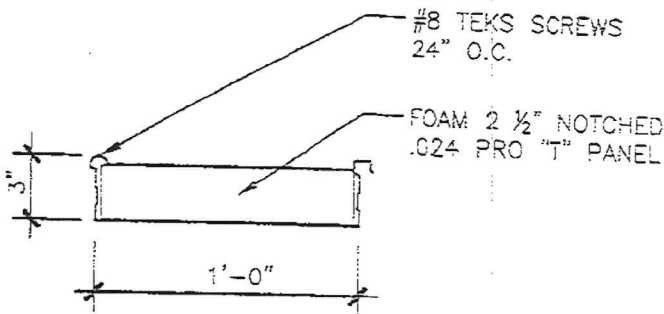
1 1/2" = 1'-0"



Panel to Wall

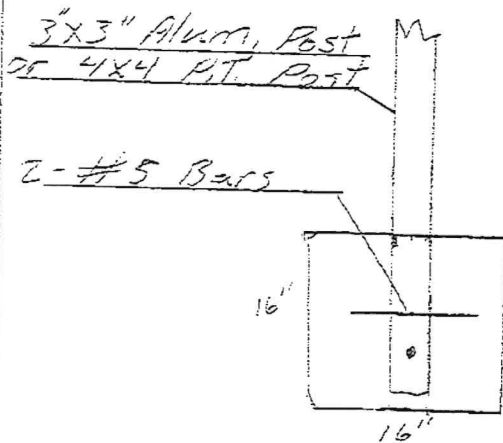
1 1/2" = 1'-0"



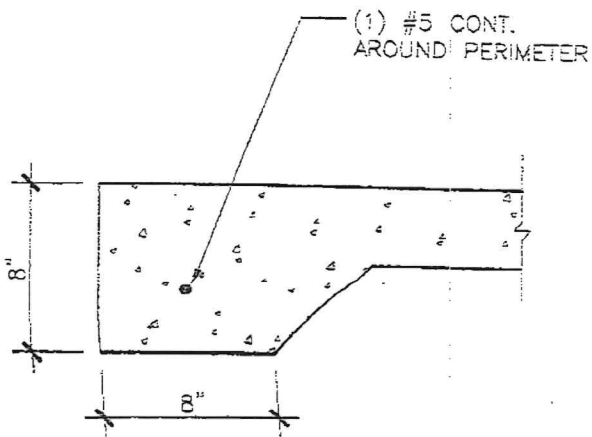


Riser Pan

1 1/2" = 1'-0"

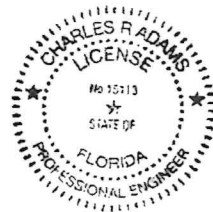
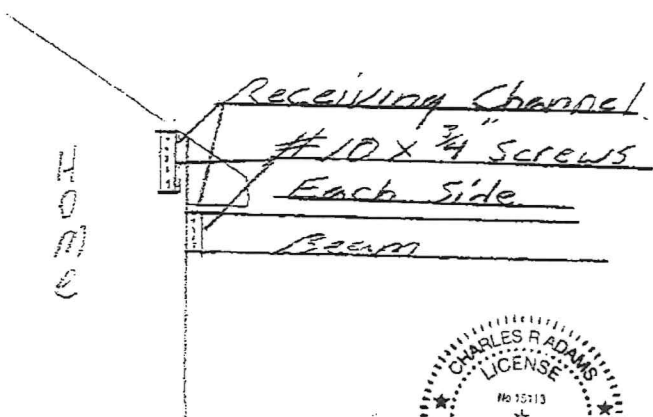


Post in Isolated Footer



Slab Footing

1 1/2" = 1'-0"

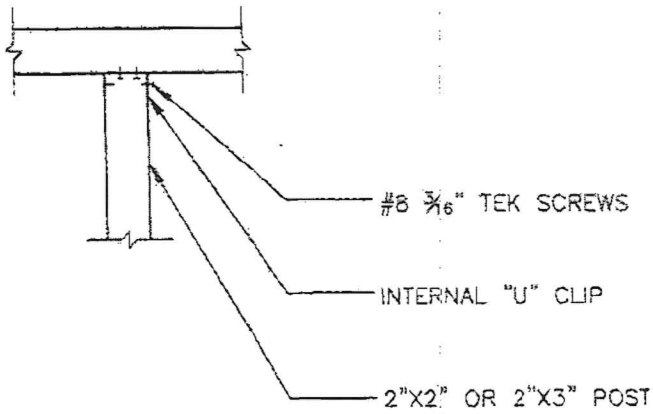


Beam to Existing Home



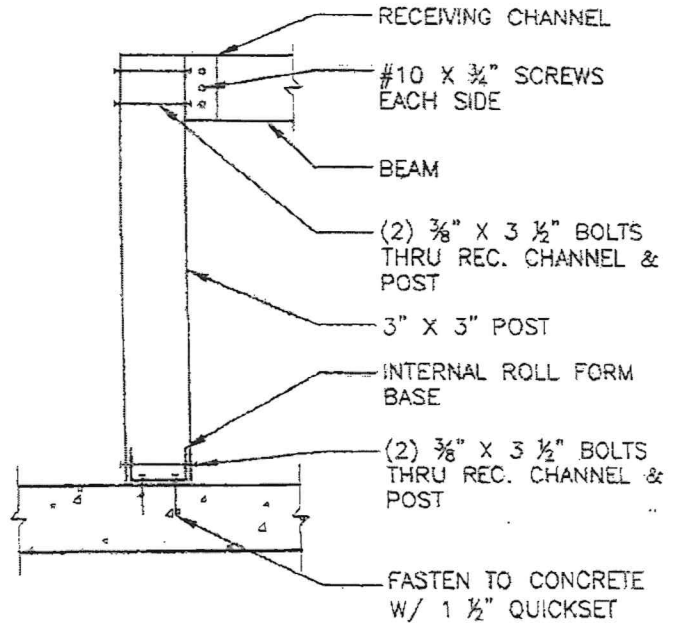
820 East 10th Ave
 New Smyrna Beach, FL 32169
 (386)426-5583

CHARLES R. ADAMS & ASSOCIATES, INC.
 STRUCTURAL ENGINEERS
 820 E. 10TH AVE.
 NEW SMYRNA BEACH, FL 32169
 CA # 4180, FL PE # 15113



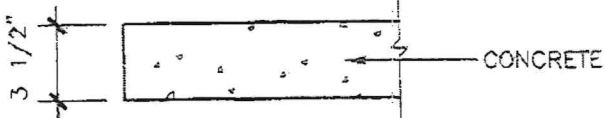
Post to Edge Beam

$1 \frac{1}{2}'' = 1'-0''$



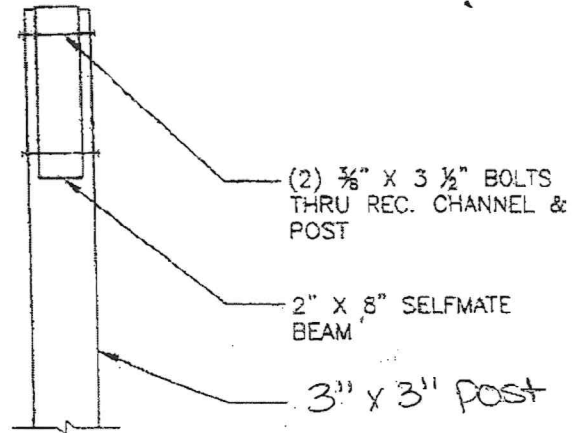
Beam to Post & Post to Base

$1 \frac{1}{2}'' = 1'-0''$



Existing Slab

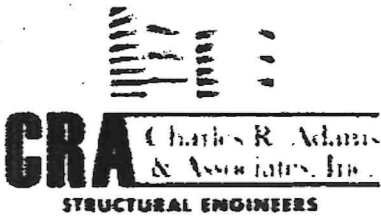
$1 \frac{1}{2}'' = 1'-0''$



Beam to Post

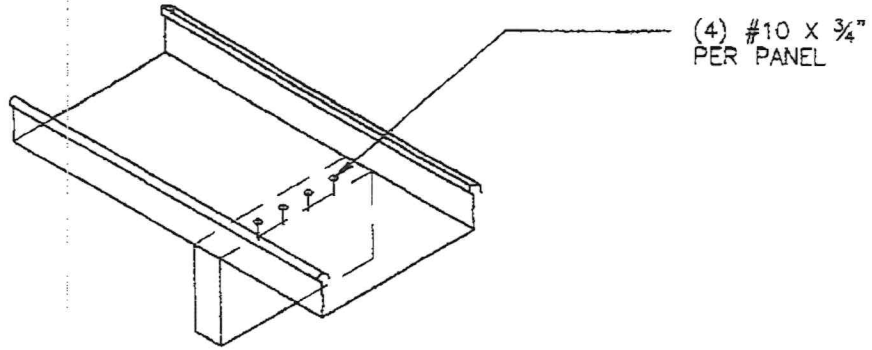
$1 \frac{1}{2}'' = 1'-0''$





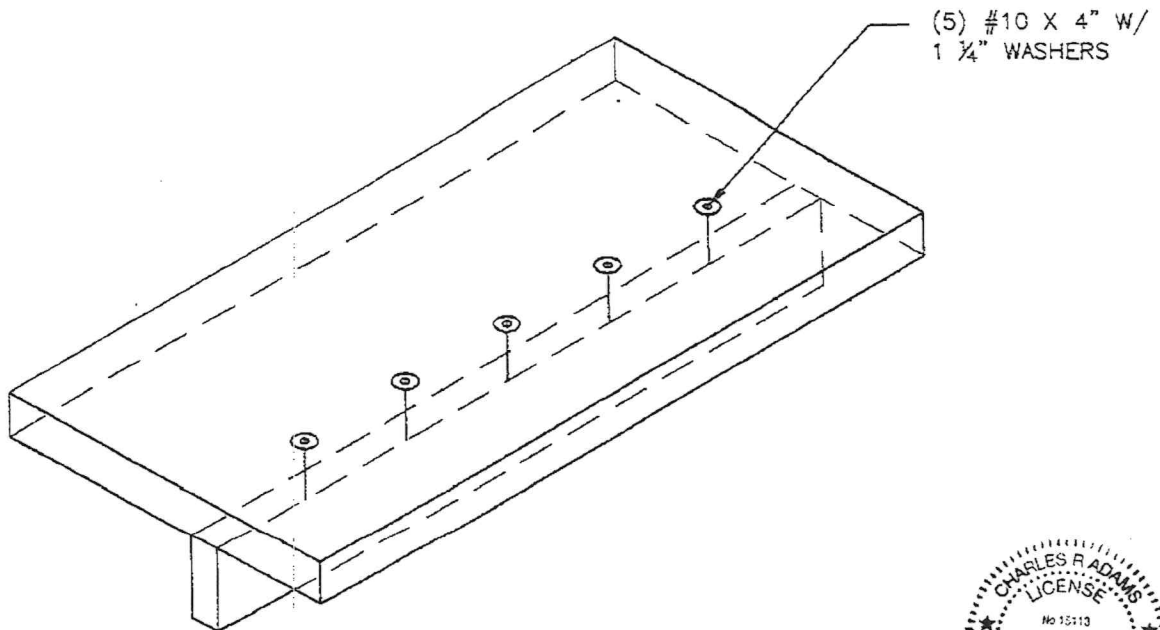
805 East 10th Ave
New Smyrna Beach, FL 32169
(386)426-5583

CHARLES R. ADAMS & ASSOCIATES, INC.
STRUCTURAL ENGINEERS
820 E. 10TH AVE.
NEW SMYRNA BEACH, FL 32169
CA # 4180, FL PE # 15113



Riser Panel to Top Plate or Beam

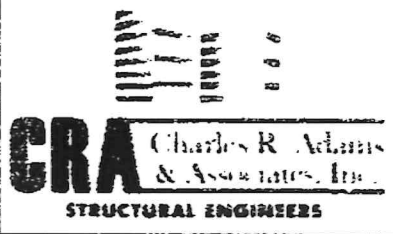
NTS



Composite Roof Panel to Top Plate or Beam

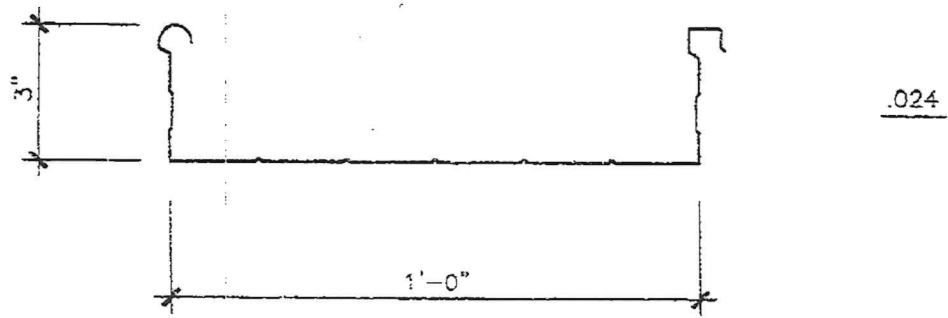
NTS



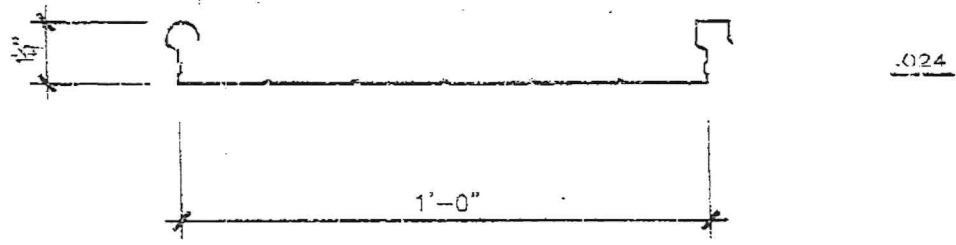


805 East 10th Ave
New Smyrna Beach, FL 32169
(386)426-5583

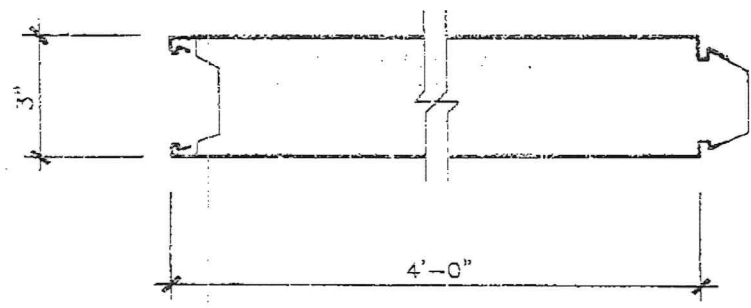
CHARLES R. ADAMS & ASSOCIATES, INC.
STRUCTURAL ENGINEERS
820 E. 10TH AVE.
NEW SMYRNA BEACH, FL 32169
CA # 4198, FL PE # 15113



3" Interlocking Roof Panel
3" = 1'-0"



1 1/2" Interlocking Roof Panel
3" = 1'-0"



Composite Roof Panel
3" = 1'-0"

